

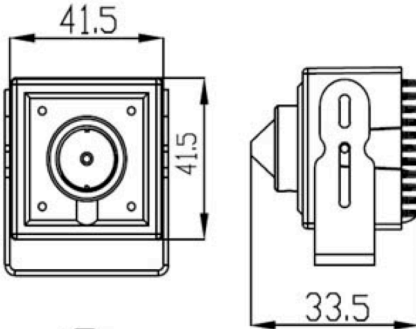
# BSUHFM00/1.3IP/SPL 1.3MP Network Pinhole Camera



## Key features

- 1/3" Progressive Scan CMOS
- 3.7mm,2.8mm optional
- 1.3MP Resolution
- Multiple Streams
- dWDR,ROI,Corridor Mode,HLC

## Dimension



## Accessories

N/A

## Specifications

CAMERA	
Image Sensor	1/3" Progressive Scan CMOS
Min. illumination	Color 0.1Lux(AGC ON);B&W 0.005Lux(AGC ON)
Day & Night	Fixed
Shutter Speed	1/25-1/10000
Auto Iris	Fixed
Wide Dynamic Range	dWDR
Digital Noise Reduction	3D
Lens	3.7mm,2.8mm lens optional
FOV	57°
IR LED	N/A
IR Range	N/A
IMAGE	
Video Compression	H.264 High/Main/Baseline Profile, MJPEG
Bit Rate (CBR/VBR)	1000kb-8000kb
Audio Compression	G.711
Max.Resolution	1280x720/30fps
Stream	Stream1 1280x720 Stream 2 D1 to QVGA
Image Setting	Rotate Mode,Saturation,Brightness,Contrast,Sharpness
HLC	Auto
9:16 Corrido mode	Yes
ROI	Yes
Defog	N/A
NETWORK	
Network Protocols:	TCP/IP,UDP,SMTP,HTTP,FTP,PPPOE,DHCP,DNS,DDNS,UPNP,RTP,R TSP
Alarm Trigger	Motion Detection,Networkdisconnect,I/O alarm
RTSP Video	Standard RFC2326, Support QuickTime / VLC Player.
Security	User security authentication, Reset, Hardware WatchDog
Web Language	English, Chinese
System Compatibility	Onvif
Interface	
Ethernet	1 Ethernet (10/100 Base-T) RJ-45 Connector
Audio I/O	1ch Audio In,1ch Audio Out
Alarm I/O	1ch Alarm In,1ch Alarm Out
RS485	N/A
BNC Output	N/A
Reset Button	Yes
Edge Storage	SD/HDSD MAX 32GB
GENERAL	
Power Supply	DC12V-10%~+10%
Power Consumption	2W(MAX)
OperatingTemperature	-10°C~+60°C
Operating Humidity	0% - 90% RH
Ingress Protection	N/A
Approvals	CE / FCC
Product Dimensions	41.5x41.5x33.5mm
Product Weight	170g